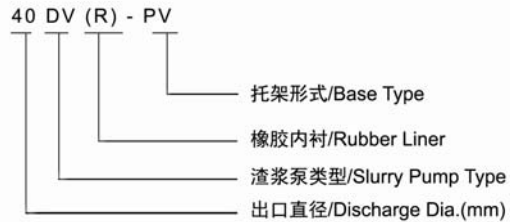


DV(R)系列液下泵 DV(R) Type Sump Pump



口径/Diameter : 40 ~ 300mm
流量/Capacity : 12 ~ 1267m³/h
扬程/Head : 4 ~ 40m



注：金属内衬无标识
Note: Metal Liner is not shown

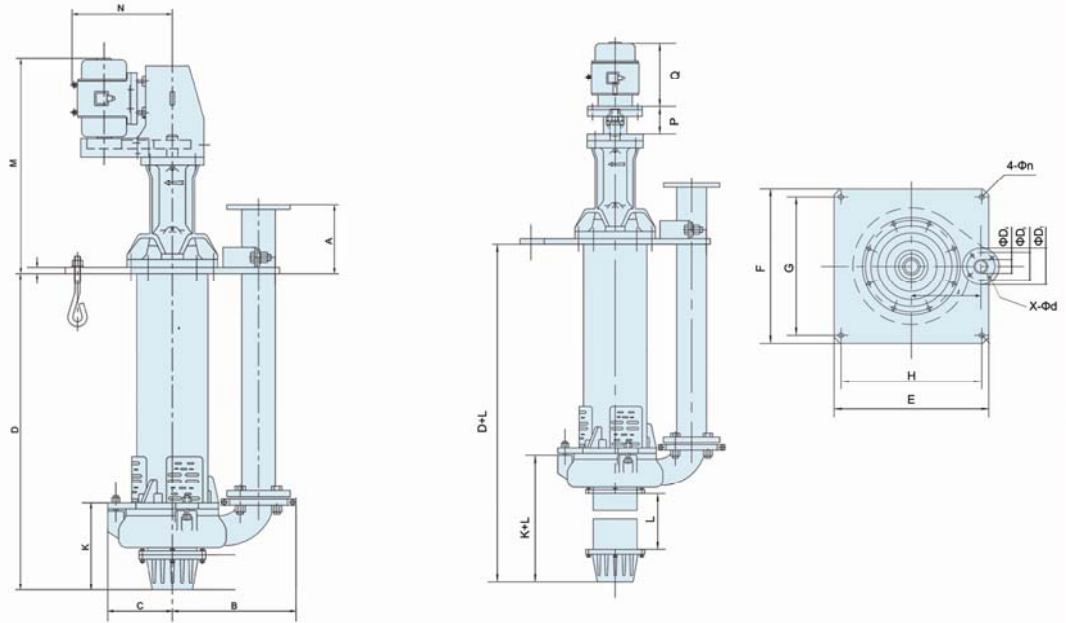
产品特点：立式悬臂式、单泵壳结构，双吸、半开式叶轮设计，采用高铬合金或橡胶叶轮，可调节叶轮与护板之间的间隙，保证泵的高效运行，无需任何轴封，采用橡胶过流部件，与浆液接触的部件衬胶，适应较强的腐蚀性工况。传动方式可采用直联或皮带传动。泵的旋转方向从驱动端看为顺时针旋转。

应用领域：用于输送腐蚀性、粗颗粒、高浓度渣浆。广泛地应用于冶金、矿山、煤炭、电力、建材、环保等部门。

Feature of Product: The pumps are designed for vertical cantilever type, single casing, double suction and semi-open impeller, the impeller is made of high-chromium alloy or rubber, the space may be adjusted between impeller and liner so that assure the high-efficient operation, the pumps have no need of any shaft seal, the wet parts of pumps is made of rubber and the parts contacting with slurry is lined with rubber, the pumps are suited to deliver corrosive slurries. The pumps may be driven by belt or direct coupling. Pump should rotate clockwise viewing from the drive end.

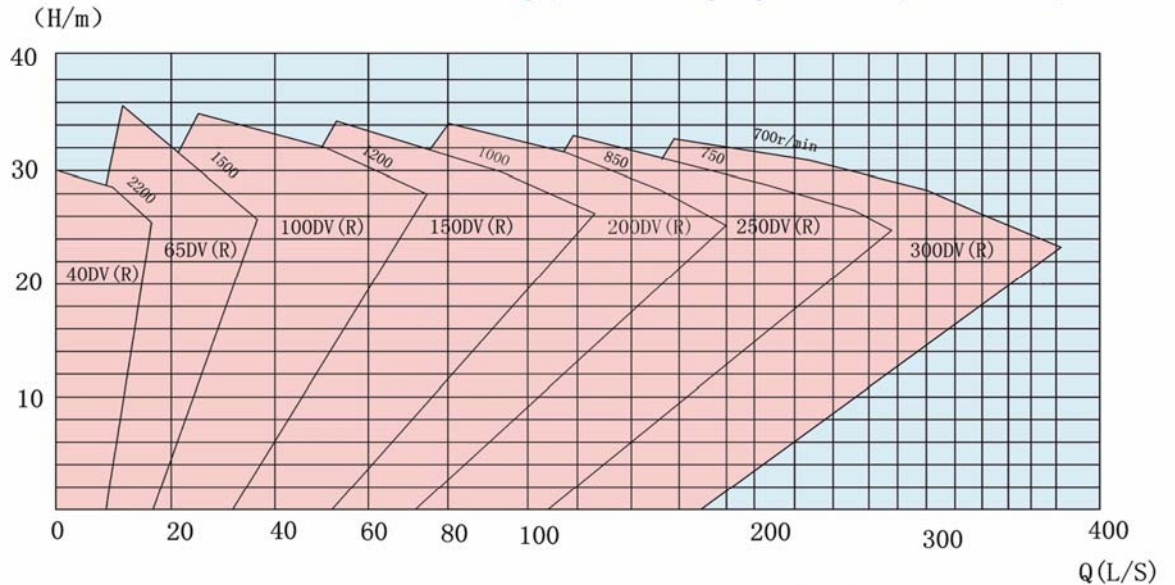
Application: The pumps are designed for delivering corrosive, large particle and high density slurries. The pump are widely used for metallurgy, mining, coal, power plant, building materials and environmental protection industrial departments, etc.

DV(R)系列液下泵外形及安装尺寸图 Outline and Installation Dimension of Type DV(R) Sump Pump



DV(R)系列液下泵型谱图

Selection Chart of Type DV(R) Sump Pump



DV(R)系列液下泵性能参数

Performance Parameter of Type DV(R) Sump Pump

型号 Type	允许配代 最大功率 Allowable Mating Max. Power (kW)	材质 Material		清水性能 Clean Water Performance					叶轮 Impeller	
		护套 Liner	叶轮 Impeller	流量 Capacity (Q)		扬程 Head (H)	转速 Speed (n)	最高效率 Max. Eff.	叶片数 No. of Vaness	叶轮直径 Impeller Dia.(mm)
				(m³/h)	(l/s)					
40(L)DV	15	M	M	19~43	5.3~12	4.5~28.5	1000~2200	40	5	188
40(L)DVR		R	R	18~40	5~11	4~26	1000~2200	40	5	188
65(L)DV	30	M	M	23~111	6.4~30.8	5~29.5	700~1500	50	5	280
65(L)DVR		R	R	23~105	6.4~29	5.5~30.5	500~1200	51	5	280
100(L)DV	75	M	M	54~289	15~80	5~35	600~1200	56	5	370
100(L)DVR		R	R	65~285	18~79	7.5~36	600~1200	62	5	370
150(L)DV	110	M	M	108~480	30~133	8.5~40	500~1000	52	5	450
200(L)DV		M	M	189~891	52.5~247.5	6.5~37	400~850	64	5	520
250(L)DV	200	M	M	261~1089	72.5~302.5	7.5~33	400~750	60	5	575
300(L)DV		M	M	288~1267	80~352	6.5~33	350~700	50	5	610

注： 1. “M”是耐磨合金材质。“R”是橡胶材质。“(L)”代表加长轴型式。
 Note: 1. "M": alloy wear-resistant material, "R": rubber. "L": Extension Type.

DV(R)系列液下泵外形及安装尺寸 Outline and Installation Dimension of Type DV(R) Sump Pump

泵 Pump			A	B	C	D		E	F	G	H	J	φn	K	M	N	P	Q	重量 Weight (kg)	出口法兰尺寸 Discharge Flange Dimension			
出口直径 Discharge Dia.(mm)	托架 Base	型号 Type				标准型	加长型													φD1	φD2	φD0	X-φd
						Standard Type	Extension Type																
40	P(L)	DV	137	285	153	900*	1800*	500	500	450	450	205	18	174	1113	675	248	629	285	127	40	98	4-φ16
		DVR	140	265	175	1200	2500																
65	Q(L)	DV	227	399	231	900*	1800*	680	680	620	285	400	18	393	1390	1020	290	681	432	178	65	140	4-φ19
		DVR	230	380	260	1200*	2000																
100	R(L)	DV	265	538	317	1200	2400	1000	870	800	930	400	22	393	1803	1020	416	960	876	229	100	191	8-φ19
						1500*	2700*																
						1800	3000																
						2000	3200																
						DVR	266																
150	S(V)	DV	390	670	365	1200	2800*	1100	1100	1030	1030	500	28	475	2186	1200	476	1011	1737	280	150	241	8-φ22
						1500*	3200																
						1800	3400																
						DVR	395																
200	S(L)	DV	450	805	440	1200	2800*	1300	1200	1100	1200	600	28	550	2191	1300	476	1011	2800	343	200	298	8-φ22
						1500*	3200																
						1800	3600																
250	T(L)	DV	500	930	470	1800	2800*	1750	1450	1350	2650	700	48	685	2572	1750	561	1246	3700	406	250	362	12-φ25
						2100*	3200																
						2400	3600																
300	T(L)	DV	500	1170	559	1800	2800*	1750	1450	1350	700	700	48	700	2476	1750	561	1246	4500	483	300	432	12-φ25
						2100	3200																
						2400	3600																
		DVR	400	1090	630																		

注: L尺寸为: 0, 300, 600, 900, 1200, 1800; L为0时为标准泵的尺寸。过滤网到池底的尺寸范围: 300-500mm。

Note: L size: 0,300,600,900,1200,1800,Standard Pump L=0. The dimension range from stair to bottom of pool :300-500mm.